

6

5

4

3

2

1

D

D

C

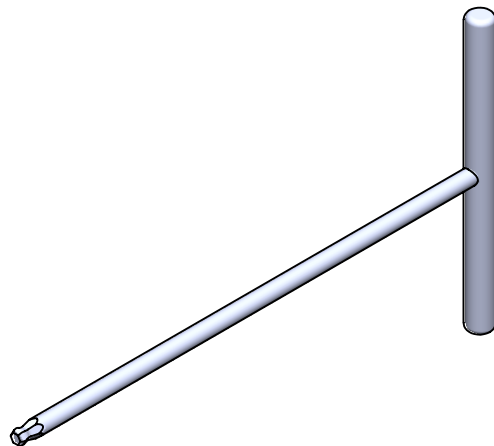
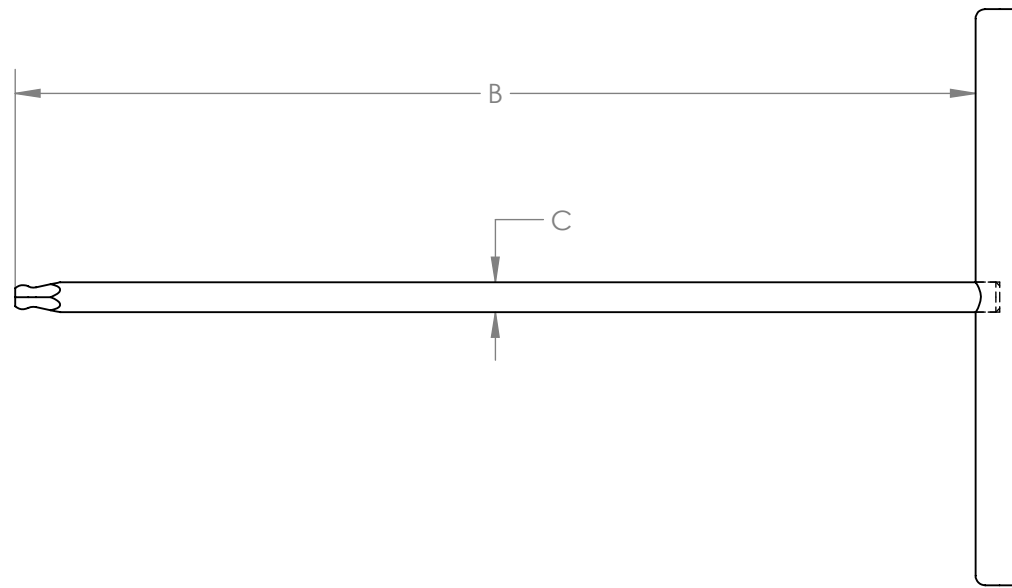
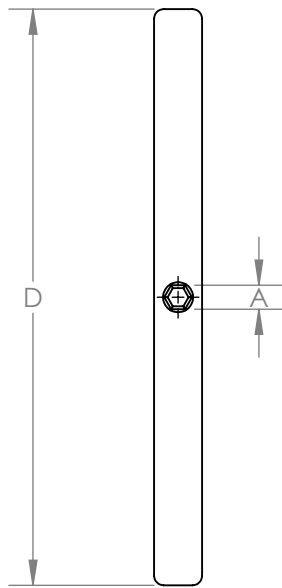
C

B

B

A

A



UNLESS OTHERWISE SPECIFIED:
DIMENSIONS ARE IN INCHES

TOLERANCES:
HELD TO STANDARD SPECIFICATIONS



| | NAME | SIGNATURE | DATE |
|--------|------|-----------|----------|
| DRAWN | A.T. | | 04.12.18 |
| CHCK'D | | | |
| APPV'D | | | |
| Q.A | | | |

MATERIAL:

TITLE:

THIS DRAWING IS THE PROPERTY OF STERITOOL, INC. ANY REPRODUCTIONS OR MODIFICATIONS OF THIS DRAWING OR ITS CONTENTS WITHOUT THE CONSENT OF STERITOOL, INC. IS PROHIBITED.

PART NO. A6

REVISION: A SCALE: NOT TO SCALE SHEET 1 OF 1

6

5

4

3

2

1